

ROTISSERIE

SPECIFICATIONS

Model : **NEOGRILL N1**

Manufacturer :



A BEAUTIFUL DESIGN

Simple, efficient and versatile. This rotisserie oven is designed to make your life easier. An innovative design with large viewing windows, glass-ceramic protected quartz lighting.



CAPACITY

16 chickens per hour.

PERFORMANCE

4 stainless steel Stand-up® baskets driven by a powerful motor, heated by 3 reinforced infrared "incoloy" heaters.

ERGONOMIC

New extra-flat touchscreen control panel, thermostat-regulated cook settings, automatic shut-off with "temperature hold" mode.

EASY TO CLEAN

Opens on both sides, the interior can be fully dismantled, red enameled sheet steel and dye-penetrating silk-screening on the windows.

SAFETY

Toughened glass protection, protected access to the fat tray.

ELECTRICAL SUPPLY

220V tri-phase
20 Amps



ROTISSERIE

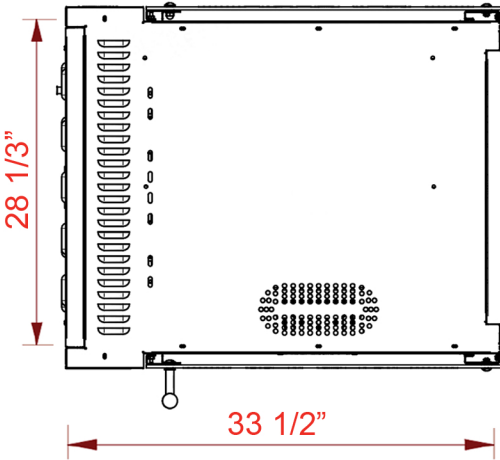
SPECIFICATIONS

Model : **NEOGRILL N1**

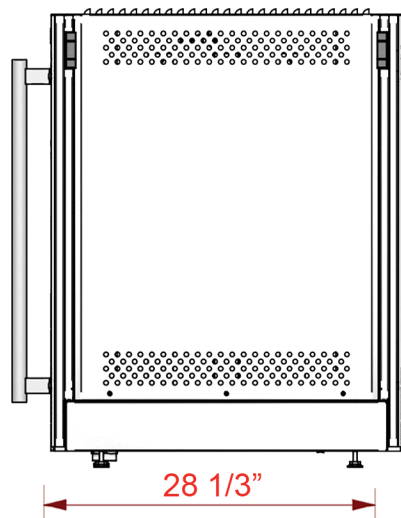
Manufacturer :



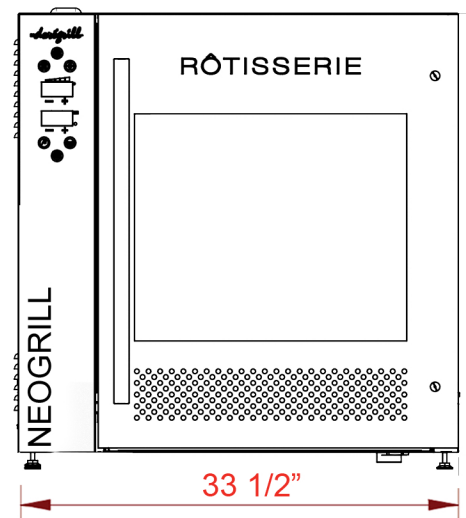
TOP VIEW



SIDE VIEW



FRONT VIEW



E 220 V Tri Phase 20Amps.



An innovative basket

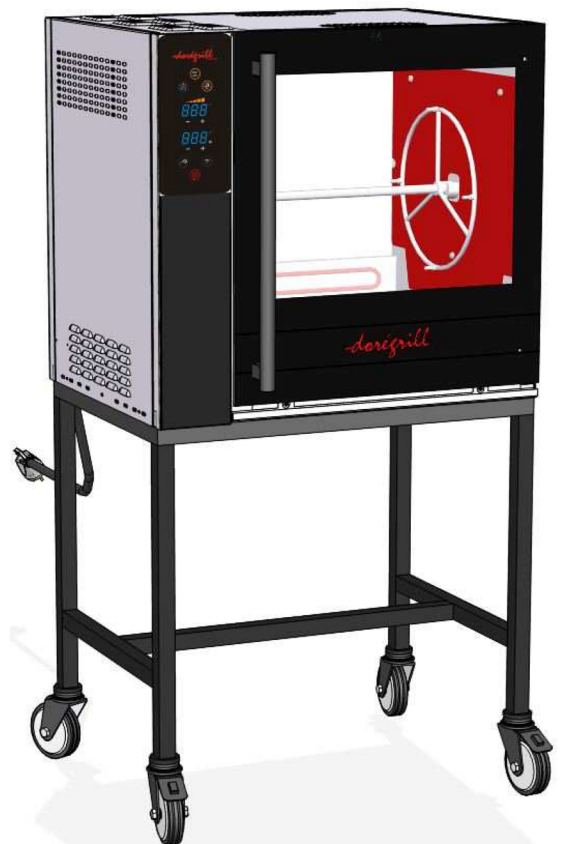
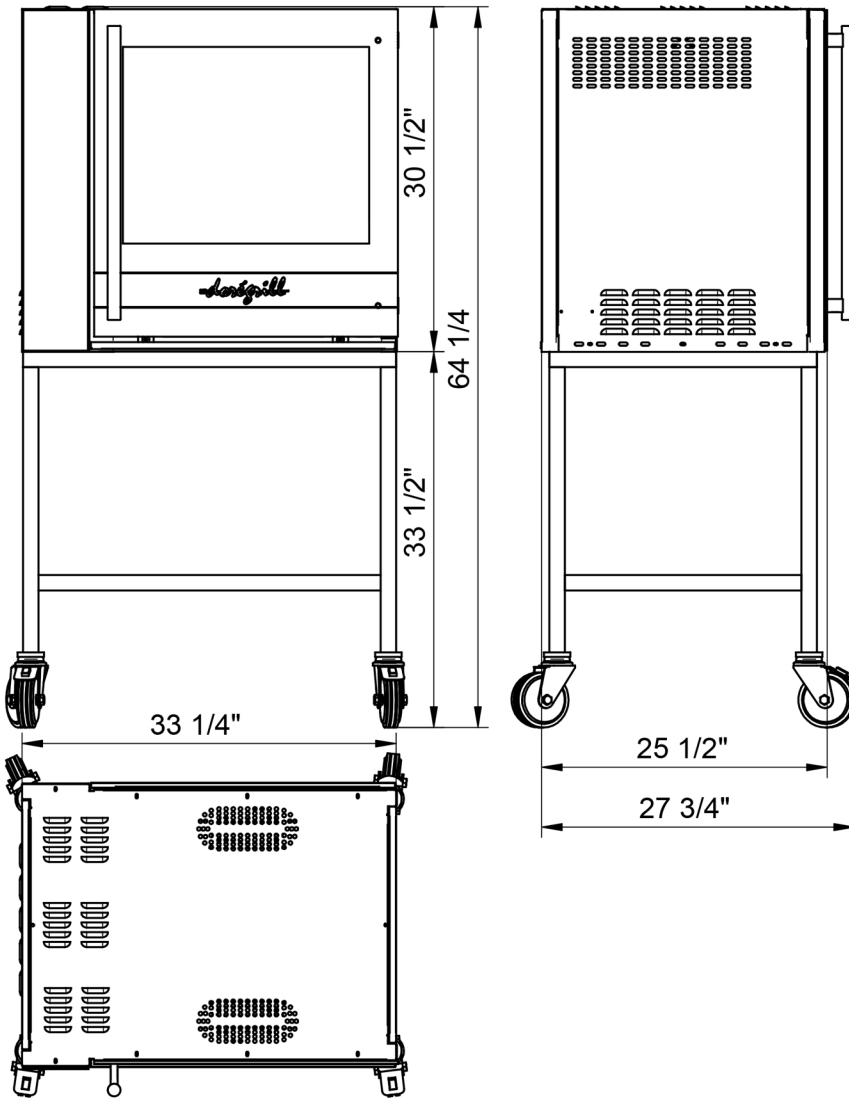
The Stand-up® basket, a new Dorégrill patent to make your life that much easier... Chickens are held upright, increasing oven capacity. With only 3 bars, it's light, easy to clean and really shows off your products.



Model	Length	Height	Depth	Number of baskets	Power	Capacity per hour (depending on weight)
N1	33 1/2"	30 1/2"	28 1/3"	4	7.3 kW	16 Vol.
Oven	Dimensions			Power		
	Length	Height	Depth			
E. N1	33 1/2"	37"	27 1/2"	2.30 kW		

ROTISSERIE SPECIFICATIONS

Model : NEOGRILL N1 & CART ASSEMBLY Manufacturer :

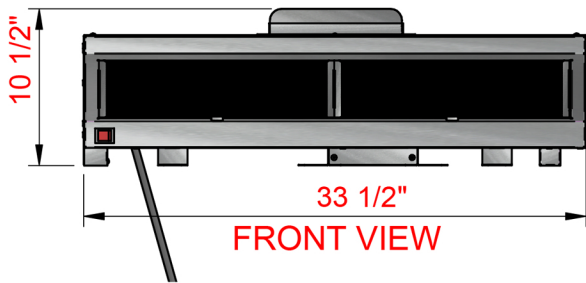


ROTISSERIE

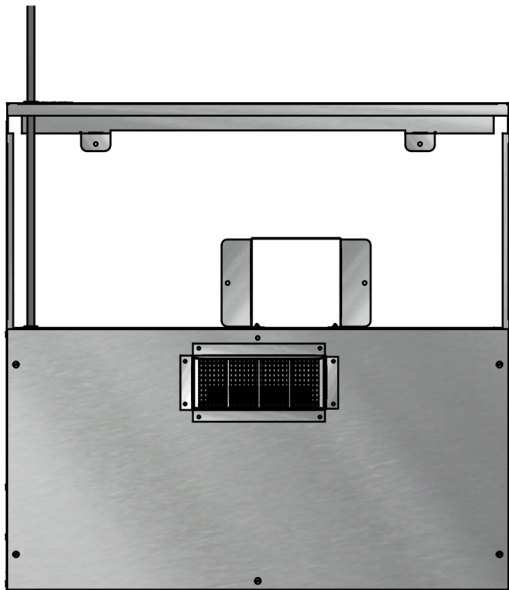
SPECIFICATIONS

Model : VENTLESS HOOD S4 / N1

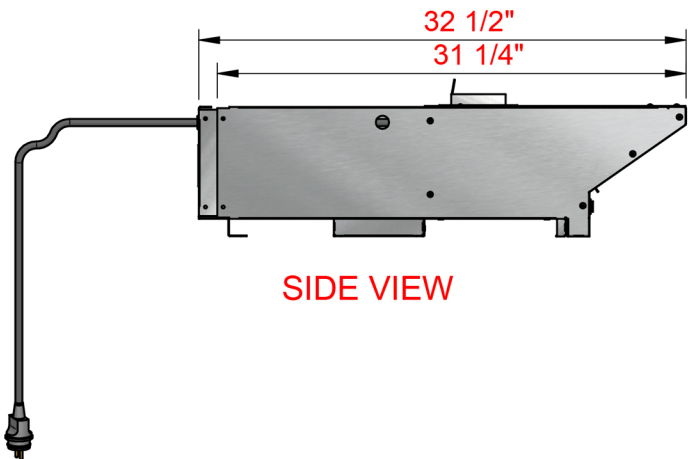
Manufacturer :



FRONT VIEW



TOP VIEW



SIDE VIEW